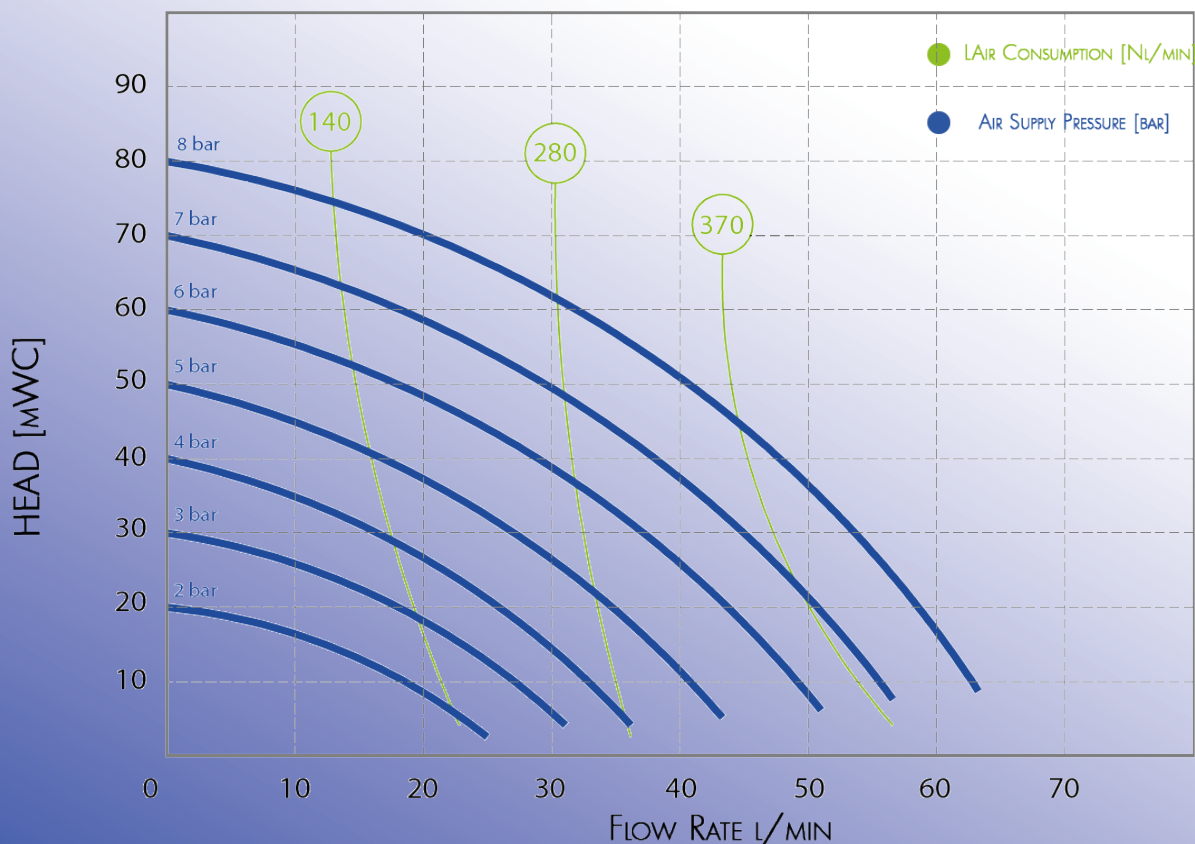
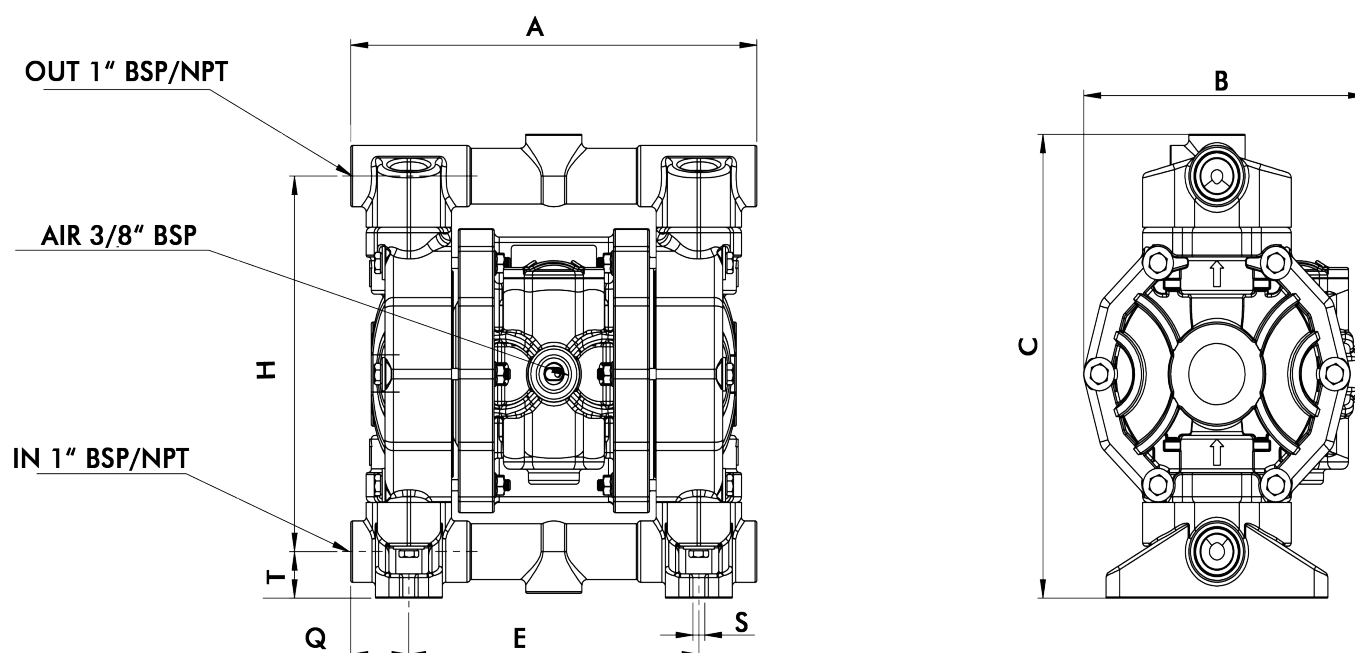


AIR OPERATED DIAPHRAGM PUMP MPF 15

| TECHNICAL DATA | |
|----------------------------|---|
| Ports (fluid) | G 1/2" (Standard) Flange DN15 (optional) |
| Ports (air supply) | G 1/4" |
| Flow rate (max.) | 3,9 m ³ /h (65 l/min) |
| Total Head (max.) | 80 mWC |
| Suction head dry (max.) | 5 mWC |
| Suction head wet (max.) | 9,8 mWC |
| Particle size (max.) | 3,5 mm |
| Noise level | 72 dbA |
| Air pressure (min. - max.) | 2 - 8 bar |
| Temperature | -4 - 95 °C |





Dimensions [mm]

| MODEL | A | B | C | D | E | H | Q | S | T |
|--------------------|-----|-----|-----|-----|-----|-----|----|-----|------|
| PP/PVDF/ALU | 238 | 165 | 249 | 110 | 170 | 201 | 34 | 7 | 25 |
| VA | 234 | 165 | 269 | 110 | 166 | 218 | 32 | 7,5 | 28,5 |

Model configuration

| | Housing | Diaphragms | Ballls | Seats | Gasket | Connections |
|--|---|--|--|---|--|----------------------------------|
| | PP - Polypropylene PV - PVDF + CFK VA - Stainless Steel AL - Aluminium | N - NBR E - EPDM S - SANTOPRENE H - Hytrel TN - PTFE+Hytrel TS - PTFE+Santop. | N - NBR T - PTFE E - EPDM X - Stainless Steel | P - PP M - PVDF X - Stainless Steel Z - PE+UHMWE AL - Aluminium | N - NBR E - EPDM V - FKM T - PTFE | G - BSP N - NPT F - Flange |

Example configuration

| | | | | | | |
|---------|----|----|---|---|---|---|
| MPF 15- | PP | TN | T | P | E | G |
|---------|----|----|---|---|---|---|

Repair kits

| | | |
|-------|---------|--|
| Set 1 | Dry end | Air valve, silencer, gasket |
| Set 2 | Wet end | Diaphragms, ball cages, balls, seats, housing gasket |

SUBJECT TO TECHNICAL MODIFICATIONS