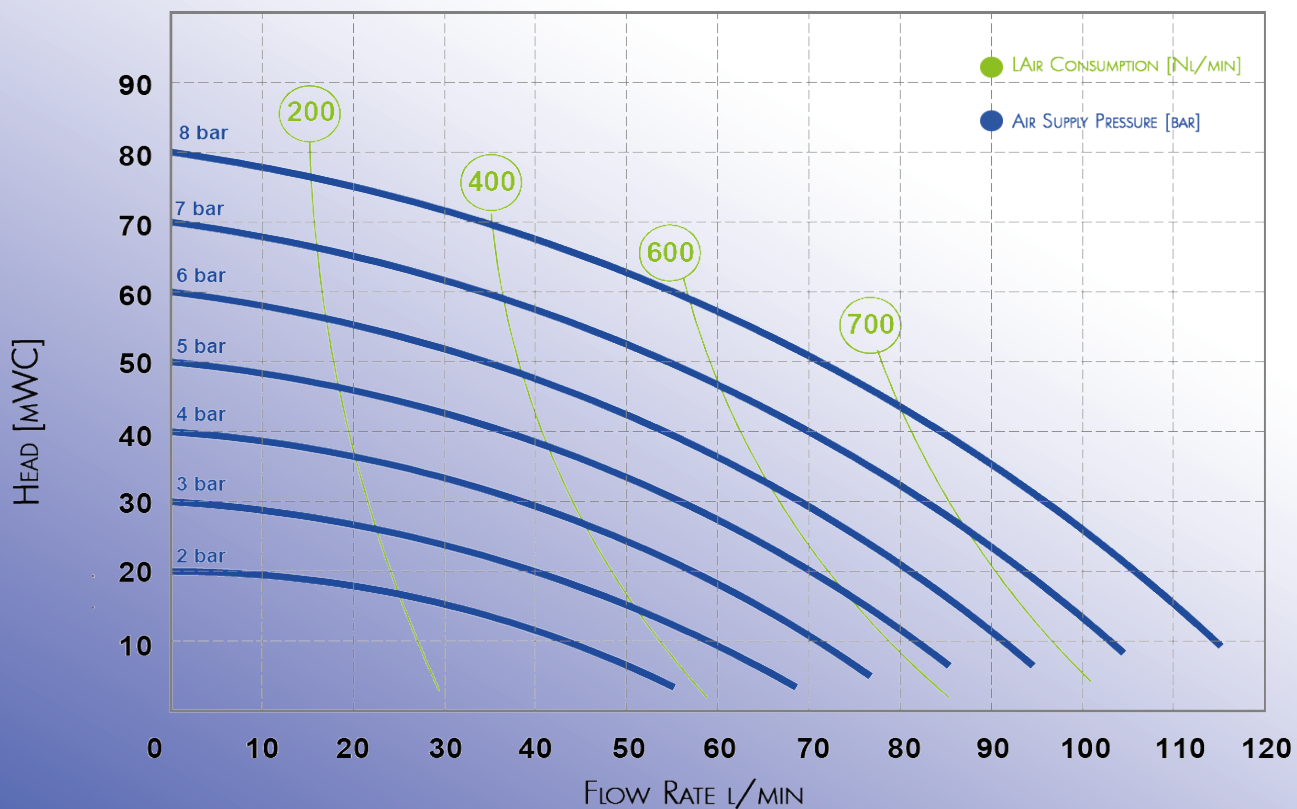
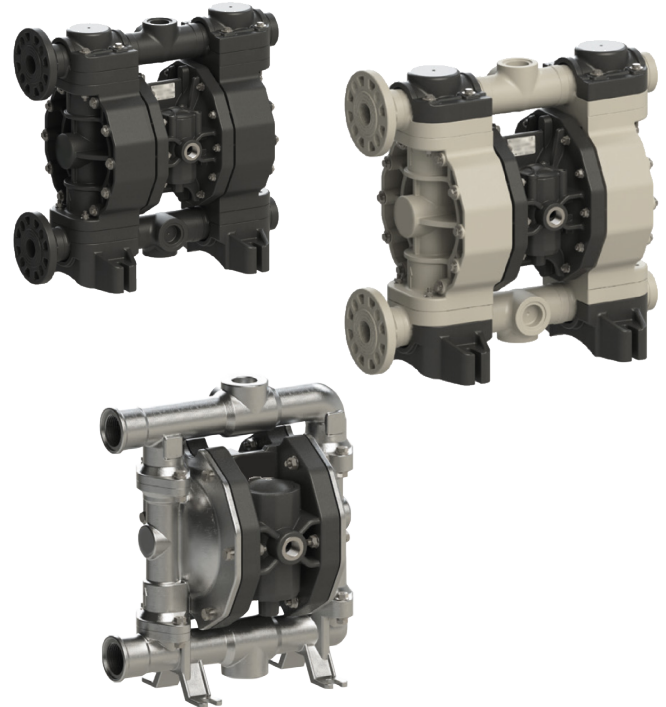
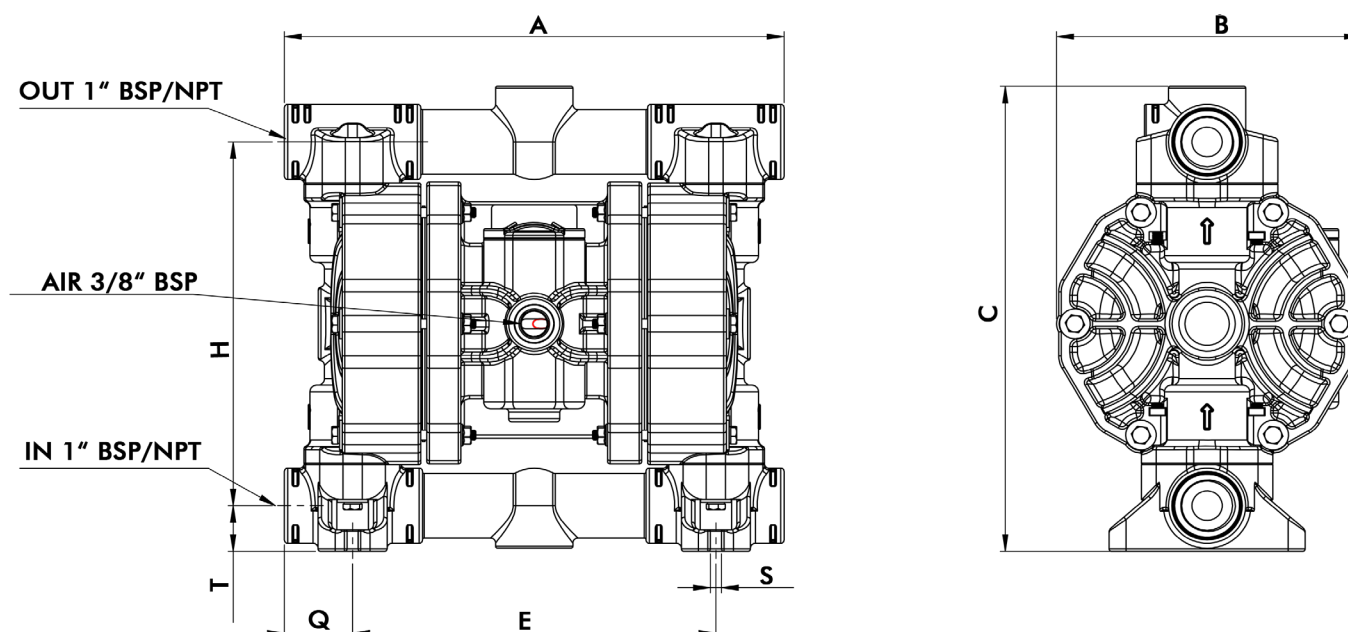


## AIR OPERATED DIAPHRAGM PUMP MPF 25K

TECHNICAL DATA	
Ports (fluid)	G 1" (Standard) Flansche DN25 (optional)
Ports (air supply)	G 3/8"
Flow rate (max.)	7,2 m <sup>3</sup> /h (120 l/min)
Total Head (max.)	80 mWC
Suction head dry (max.)	5 mWC
Suction head wet (max.)	9,8 mWC
Particle size (max.)	4 mm
Noise level	72 dbA
Air pressure (min. - max.)	2 - 8 bar
Temperature	-4 - 95 °C





Dimensions [mm]

Model	A	B	C	D	E	H	Q	S	T
<b>PP/PVDF/ALU</b>	293	179	280	96	213	219	40	6,5	27,5
<b>VA</b>	280	178	291	89	161	222	73	8	43,5

Model configuration						
	Housing	Diaphragms	Balls	Seats	Gasket	Connections
	PP - Polypropylene PV - PVDF + CFK VA - Stainless Steel AL - Aluminium	TN - PTFE+Hytrel S - Santoprene TS - PTFE+Santop. H - Hytrel E - EPDM N - NBR	N - NBR T - PTFE E - EPDM X - VA	P - PP M - PVDF X - Stainless Steel Z - PE+UHMWE	N - NBR E - EPDM V - FKM T - PTFE	G - BSP N - NPT F - Flange
Example configuration						
MPF 25K-	PP	TN	T	P	E	G

Repair kits		
Set 1	Dry end	Air valve, silencer, gasket
Set 2	Wet end	Diaphragms, ball cages, balls, seats, housing gasket

SUBJECT TO TECHNICAL MODIFICATIONS