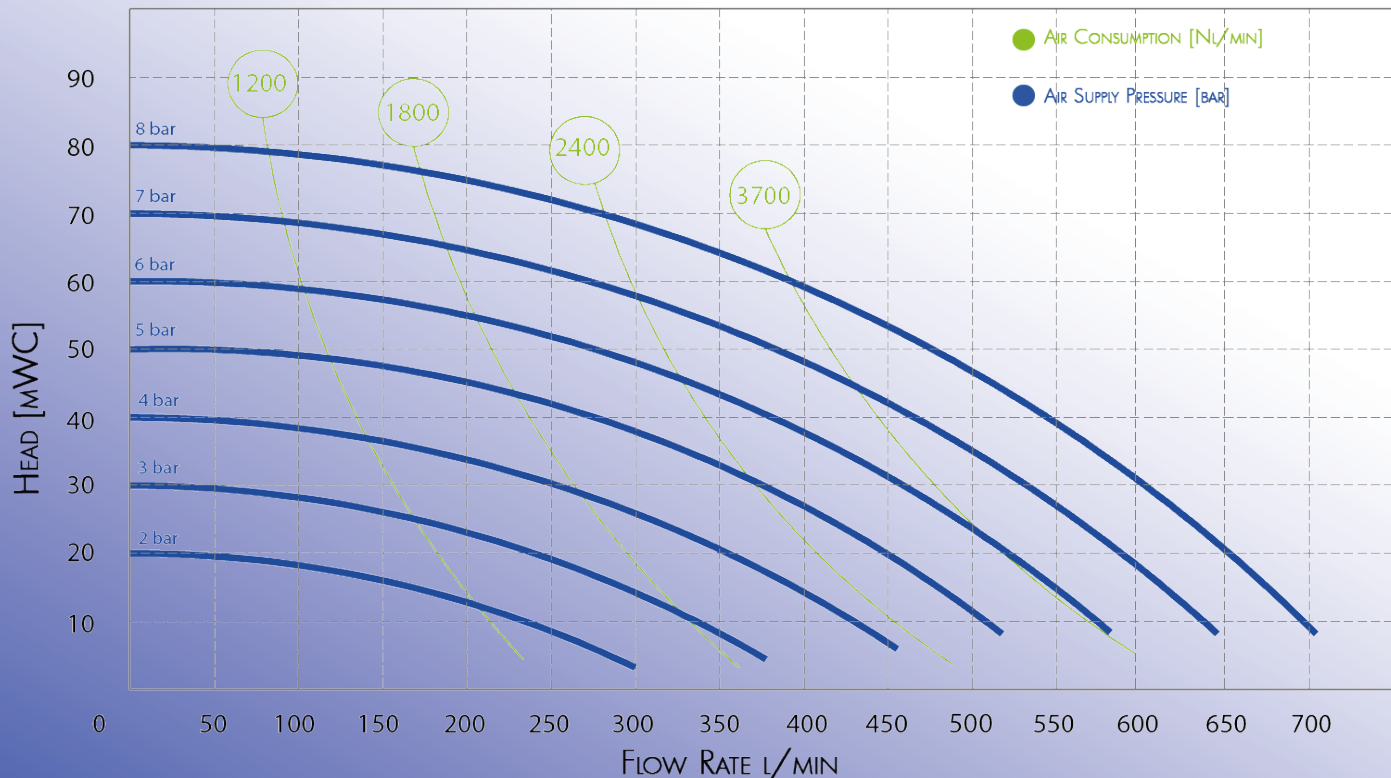
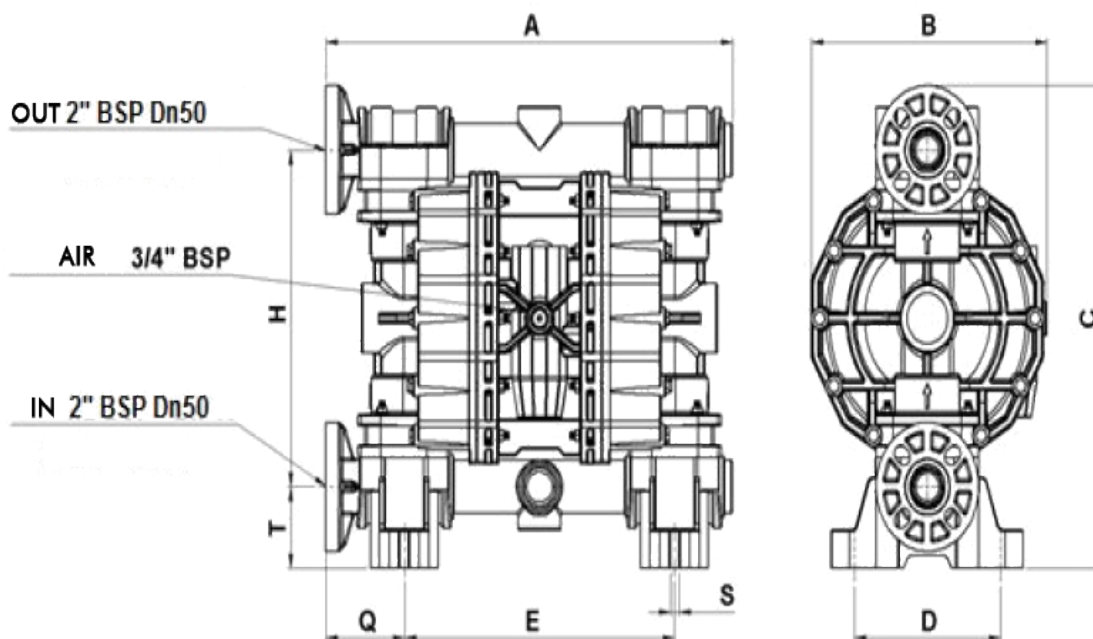


AIR OPERATED DIAPHRAGM PUMP MPF 50

TECHNICAL DATA	
Ports (fluid)	G 2" (Standard) Flange DN50 (optional)
Ports (air supply)	G 3/4"
Flow rate (max.)	42 m ³ /h (700 l/min)
Total Head (max.)	80 mWC
Suction head dry (max.)	5 mWC
Suction head wet (max.)	9,8 mWC
Particle size (max.)	8,5 mm
Noise level	78 dbA
Air pressure (min. - max.)	2 - 8 bar
Temperature	-4 - 95 °C





Dimensions [mm]

Model	A	B	C	D	E	H	Q	S	T
PP/PVDF/ALU	395	345	565	213	399	392	115	12,5	95
VA	487	340	599	220	302	496	-	63	46

Model configuration

	Housing	Diaphragms	Ballls	Seats	Gasket	Connections
	PP - Polypropylene PV - PVDF + CFK VA - Stainless Steel AL - Aluminium	TN - PTFE+HytreI S - Santoprene TS - PTFE+Santop. H - HytreI E - EPDM N - NBR	N - NBR T - PTFE E - EPDM X - VA	P - PP M - PVDF X - Stainless Steel Z - PE+UHMWE AL - Akuminium	N - NBR E - EPDM V - FKM T - PTFE	G - BSP N - NPT F - Flange

Example configuration

MPF 50-	PP	TN	T	P	E	G
---------	----	----	---	---	---	---

Repair kits

Set 1	Dry end	Air valve, silencer, gasket
Set 2	Wet end	Diaphragms, ball cages, balls, seats, housing gasket

SUBJECT TO TECHNICAL MODIFICATIONS