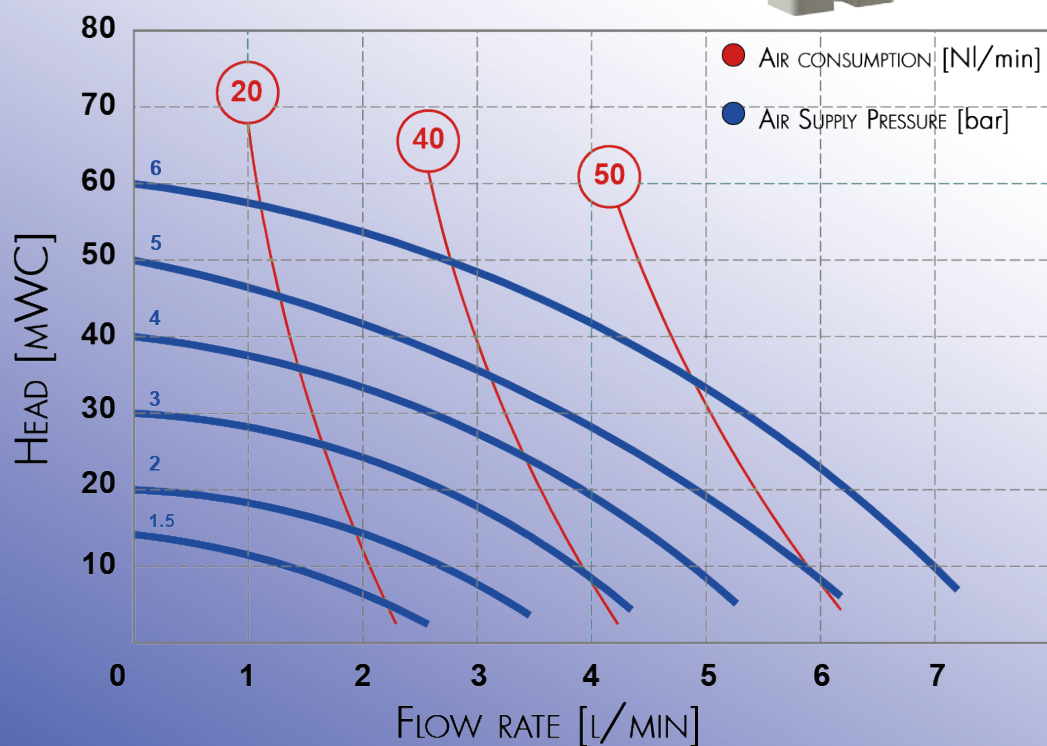
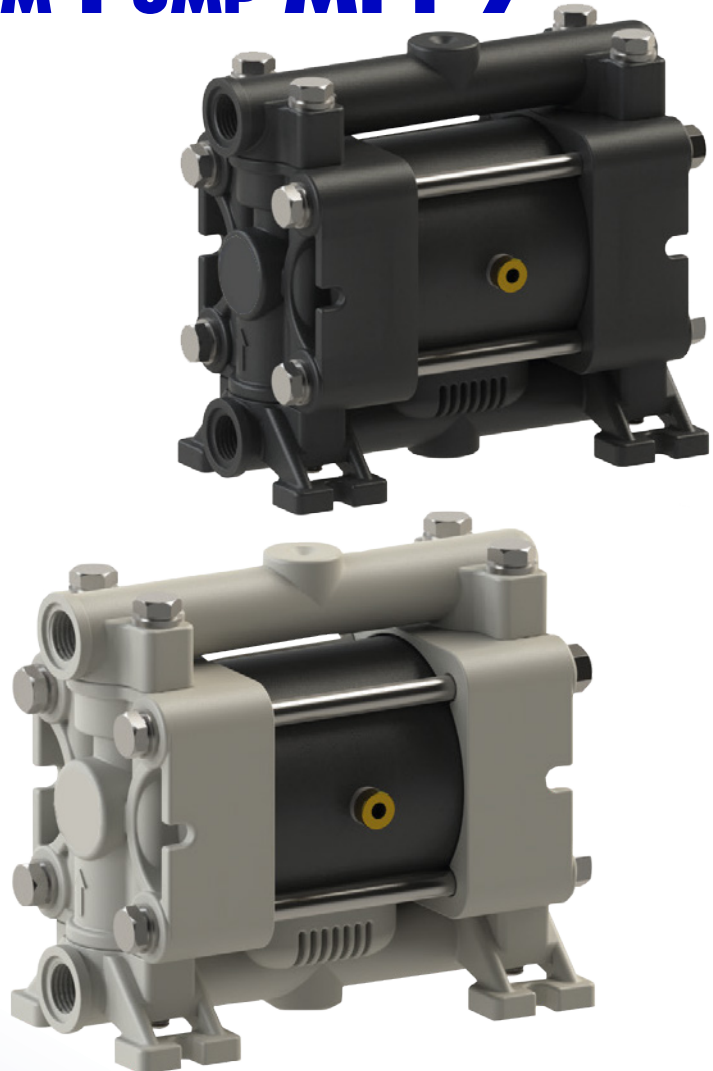
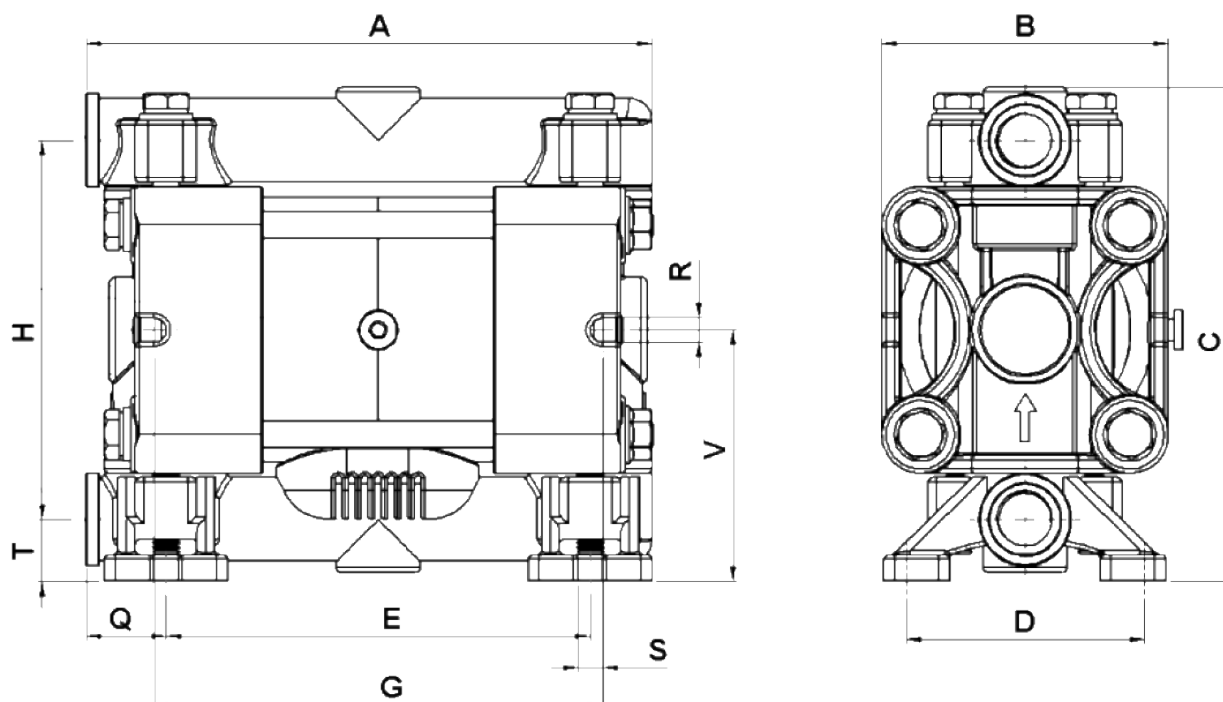


## AIR OPERATED DIAPHRAGM PUMP MPF 7

TECHNICAL DATA	
Ports (fluid)	G 1/4" (standard) flange DN7 (optional)
Ports (air supply)	4 mm
Flow rate (max.)	0,42 m <sup>3</sup> /h (7 l/min)
Total Head (max.)	60 mWC
Suction head dry (max.)	3 mWC
Suction head wet (max.)	9,8 mWC
Particle size (max.)	2 mm
Noise level	62 dbA
Air pressure (min. - max.)	2 - 6 bar
Temperature	-4 - 95 °C





Dimensions [mm]

Model	A	B	C	D	E	G	H	Q	R	S	T	V
<b>PP/PVDF</b>	129	65	112	54	96	102	86	18	5,5	5,5	14	57

Model configuration						
	Housing	Diaphragms	Ballls	Seats	Gasket	Connections
	PP - Polypropylene PV - PVDF + CFK	TN - PTFE+NBR	T - PTFE X - Stainless Steel	P - PP M - PVDF	N - NBR E - EPDM V - FKM T - PTFE	G - BSP (female) N - NPT (female)
Example configuration						
MPF 7-	PP	TN	T	P	E	G

Repair kits		
Set 1	Dry end	Air valve, silencer, gasket
Set 2	Wet end	Diaphragms, ball cages, balls, seats, housing gasket

SUBJECT TO TECHNICAL MODIFICATIONS